



**FRONT VIEW**



**SIDE VIEW**



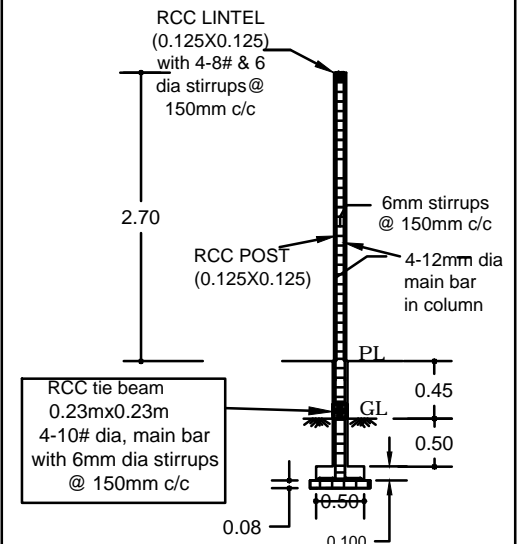
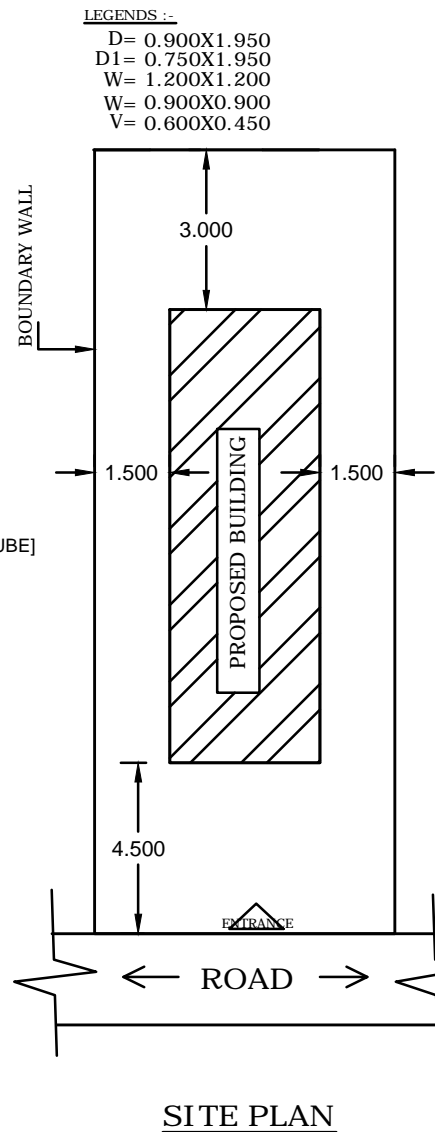
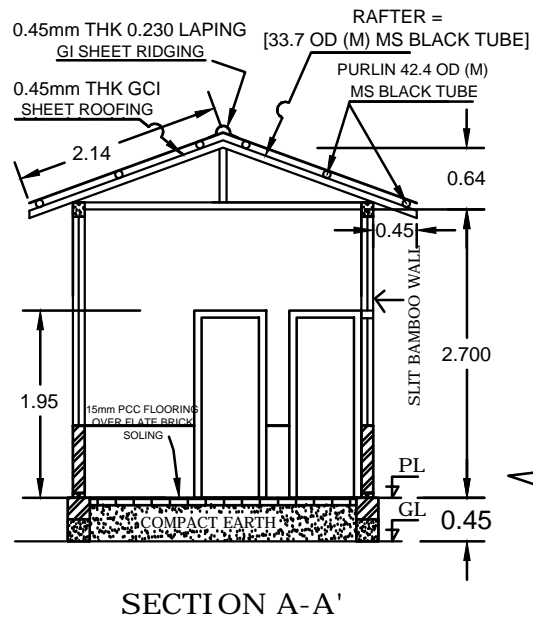
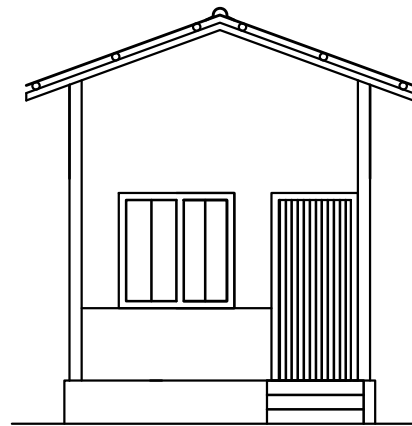
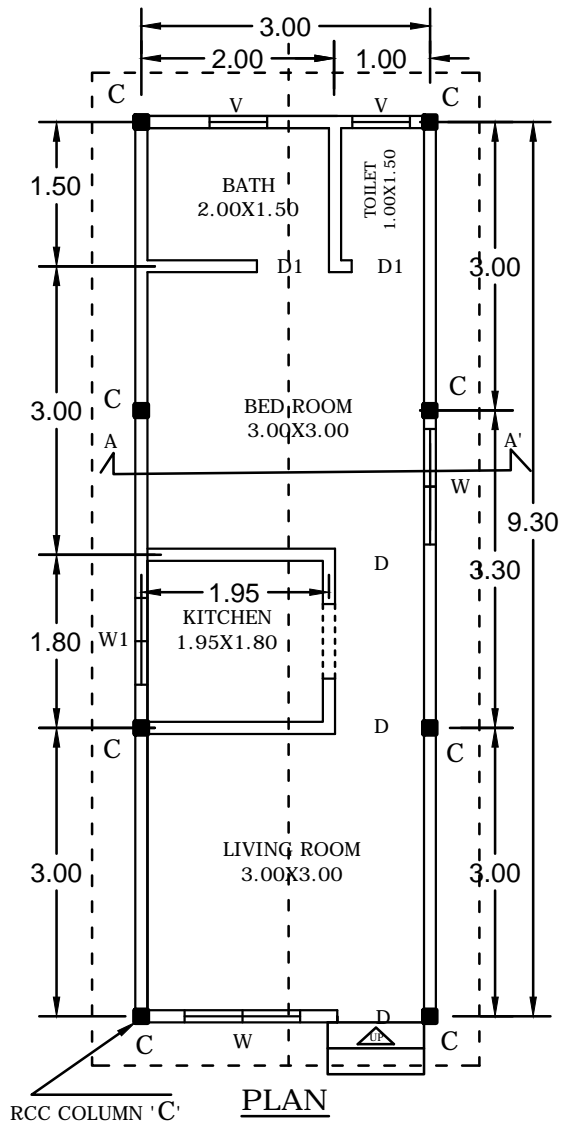
**TOP VIEW**

**TITLE:  
DRAWING FOR PROPOSED DWELLING UNIT OF BLC COMPONENT  
UNDER PRADHAN MANTRI AWAS YOJANA**

**MODEL NO-5**

**PREPARED BY -  
MISSION DIRECTORATE  
PMAY, DISPUR, GUWAHATI-6**

**3D PREPARED BY:  
ABHIJIT GOSWAMI**



(ALL DIMENSIONS ARE IN METRE)  
(ONLY FIGURED DIMENSION SHOULD BE FOLLOWED)

DRAWING FOR PROPOSED DWELLING UNIT OF BLC COMPONENT UNDER PRADHAN MANTRI AWAS YOJANA

TOTAL PLINTH AREA OF BUILDING = 29.45 SQ M  
TOTAL CARPET AREA OF BUILDING = 25.01 SQ M

PREPARED BY -

MISSION DIRECTORATE  
PMAI, DISPUR, GUWAHATI - 6

MODEL NO-5