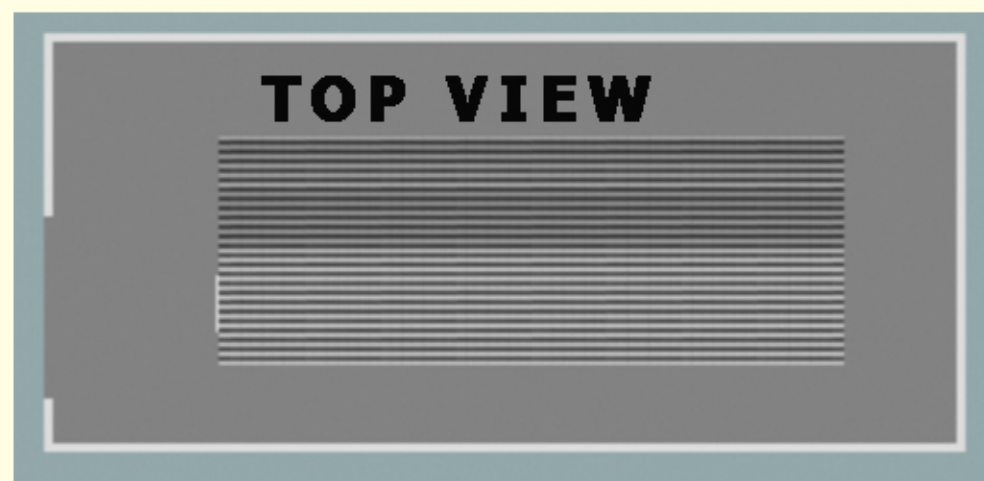




SIDE VIEW



FRONT VIEW



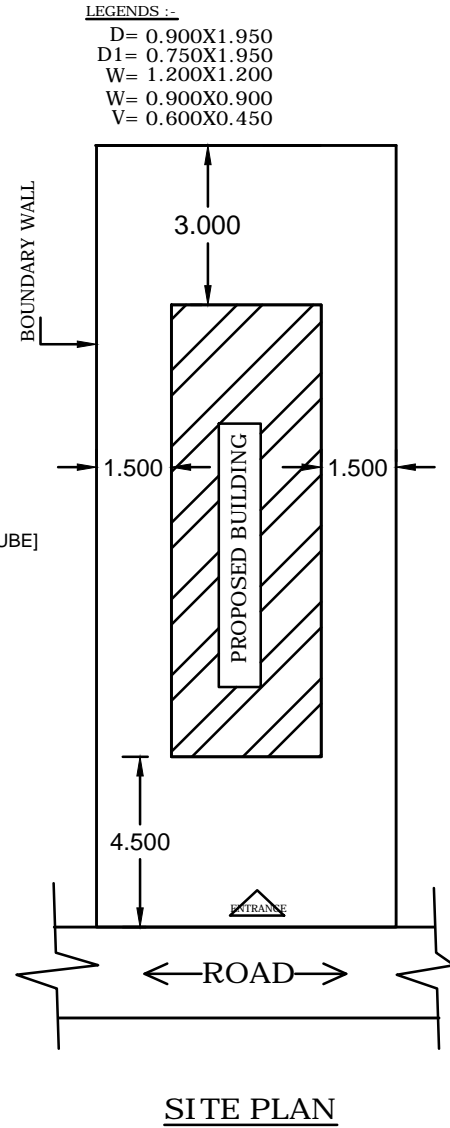
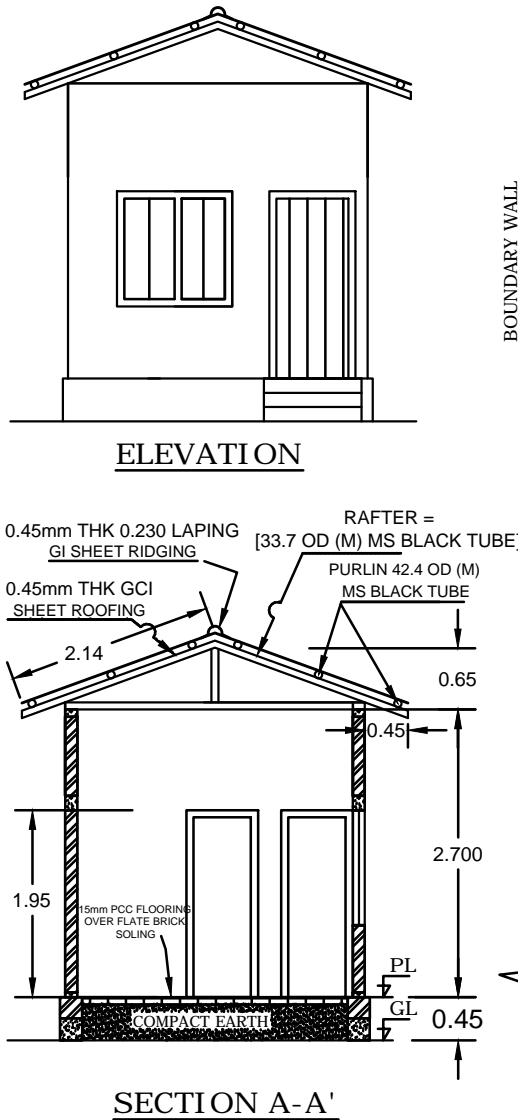
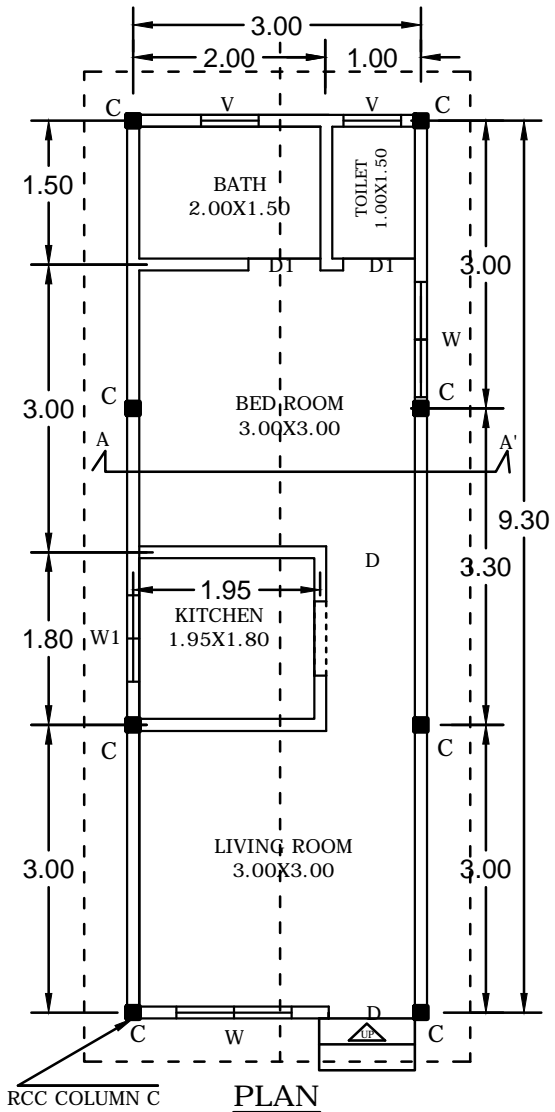
TOP VIEW

**TITLE:
DRAWING FOR PROPOSED DWELLING UNIT OF BLC COMPONENT
UNDER PRADHAN MANTRI AWAS YOJANA**

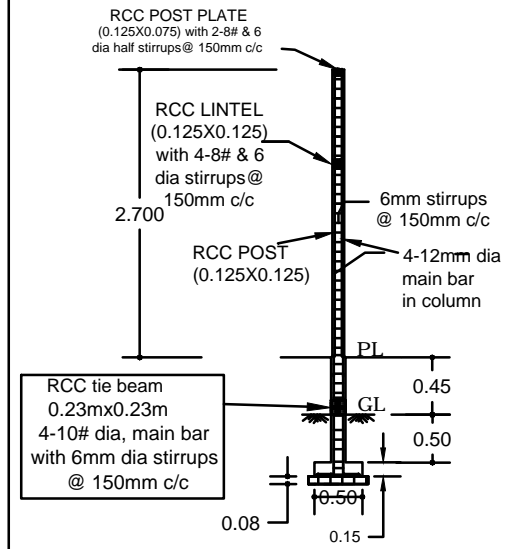
MODEL NO-2

**PREPARED BY -
MISSION DIRECTORATE
PMAY, DISPUR, GUWAHATI-6**

**3D PREPARED BY:
ABHIJIT GOSWAMI**



LEGENDS :-
 D= 0.900X1.950
 D1= 0.750X1.950
 W= 1.200X1.200
 W= 0.900X0.900
 V= 0.600X0.450



(ALL DIMENSIONS ARE IN METRE)
 (ONLY FIGURED DIMENSION SHOULD BE FOLLOWED)

DRAWING FOR PROPOSED DWELLING UNIT OF BLC COMPONENT UNDER PRADHAN MANTRI AWAS YOJANA

TOTAL PLINTH AREA OF BUILDING = 29.45 SQ M
 TOTAL CARPET AREA OF BUILDING = 25.01 SQ M

PREPARED BY -
 MISSION DIRECTORATE
 PMAI, DISPUR, GUWAHATI - 6

MODEL NO-2